

# PRECAST CONCRETE PRODUCTS

## STANDARD RANGE

The standard products listed below are normally available from stock. Units are to our standard pattern and specification. Other types are available on application.

### BUILDING PRODUCTS

	Page No.
COPING ONCE WEATHERED TWICE THROATED .....	3-4
COPING TWICE WEATHERED TWICE THROATED.....	5-6
COPING FLAT TWICE THROATED .....	7
COPING STONE STYLES .....	8
PIER CAPS .....	10-12
CILLS NON STOOLED .....	19
PADSTONES.....	24-31
PRE-CAST CONCRETE LINTELS .....	32
PRE-STRESSED LINTELS.....	33-34
GULLY SURROUNDS .....	35
BOLLARDS .....	36
PATH EDGING .....	37
PRESSED PAVING SLABS .....	38
ROAD KERBS.....	39
GRASS BLOCKS .....	40
RAM PROTECTOR UNIT .....	41
RAMP ANCHOR BLOCK .....	42

### ORNAMENTAL PRODUCTS

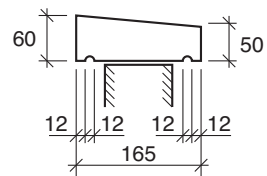
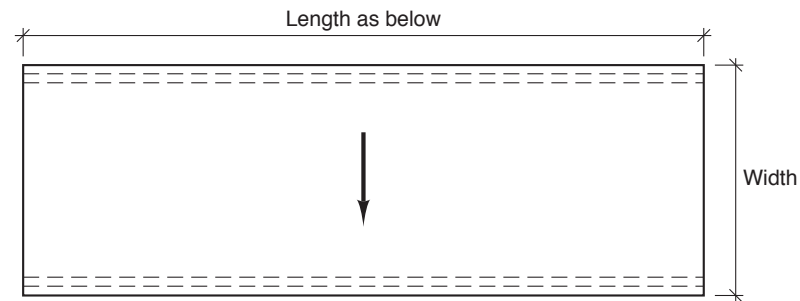
	Page No.
ORNAMENTAL COPING TWICE WEATHERED.....	9
ORNAMENTAL PIER CAPS .....	13,14
ORNAMENTAL PIER CAPS TO RECEIVE SPHERE .....	15,16
SPHERES .....	17
SPHERES COMBINED WITH SQUARE BASES.....	18
CILLS STOOLED BOTH ENDS .....	20
CILLS RIGHT HAND STOOLED .....	21
CILLS LEFT HAND STOOLED .....	22
CILLS CENTRE SECTION .....	23

All dimensions quoted are nominal. Specification may vary according to point of manufacture.

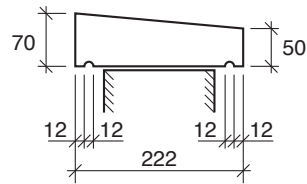


# COPING

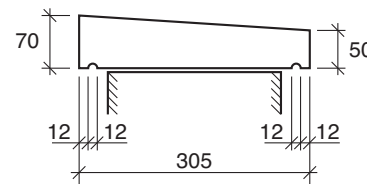
## ONCE WEATHERED TWICE THROATED



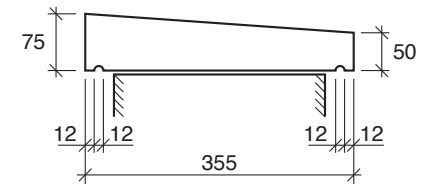
**OW1656 600 long**



**OW2306 600 long**  
**OW230 900 long**



**OW3056 600 long**  
**OW305 900 long**



**OW3556 600 long**  
**OW355 900 long**

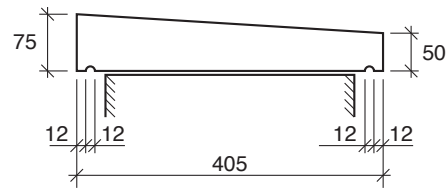
Also available in simulated stone

*continued overleaf*

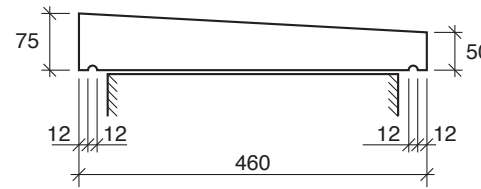
# ALLEN CONCRETE

# COPING

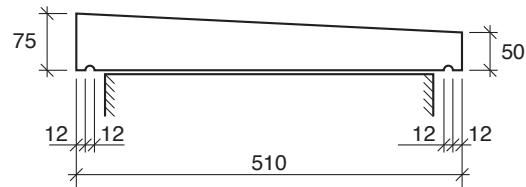
## ONCE WEATHERED TWICE THROATED *continued*



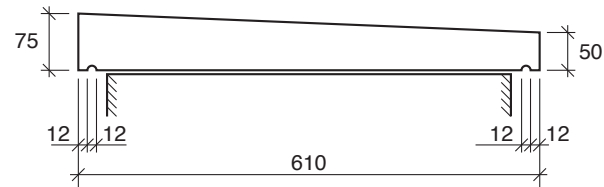
**OW400 900 long**



**OW460 900 long**



**OW 510 900 long**



**OW 610 900 long**

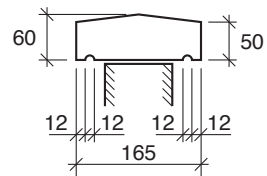
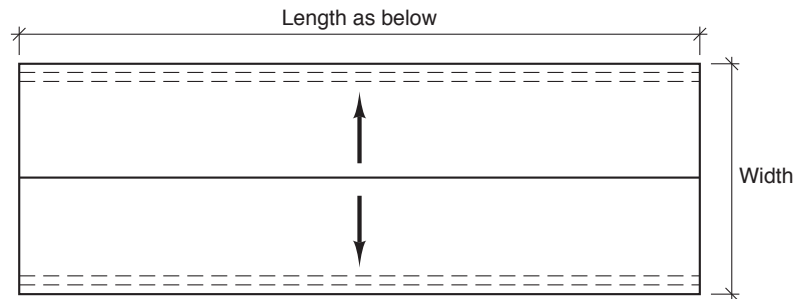
Also available in simulated stone

*continued overleaf*

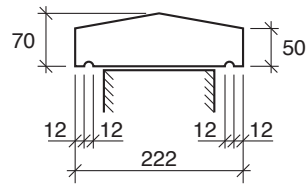
# ALLEN CONCRETE

# COPING

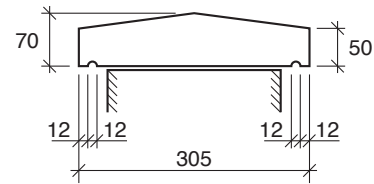
## TWICE WEATHERED TWICE THROATED



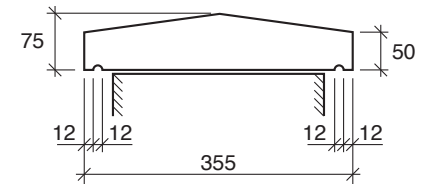
**TW1656 600 long**



**TW2306 600 long**  
**TW230 900 long**



**TW3056 600 long**  
**TW305 900 long**



**TW3556 600 long**  
**TW355 900 long**

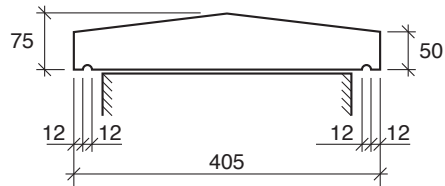
Also available in simulated stone

*continued overleaf*

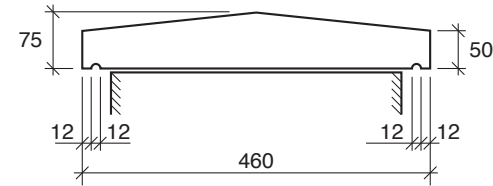
**ALLEN CONCRETE**

# COPING

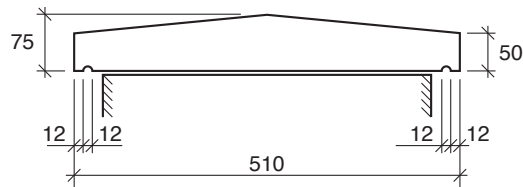
## TWICE WEATHERED TWICE THROATED *continued*



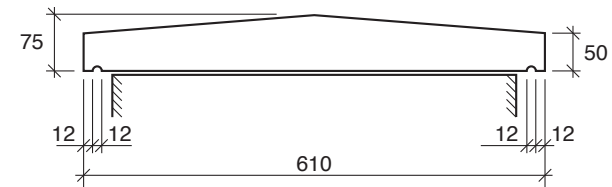
**TW400 900 long**



**TW460 900 long**



**TW 510 900 long**



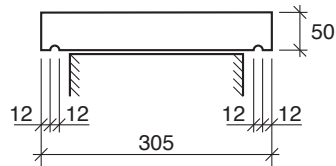
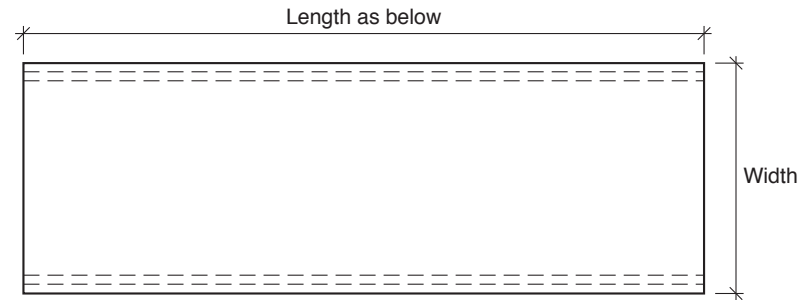
**TW 610 900 long**

Also available in simulated stone

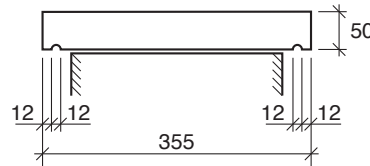
# ALLEN CONCRETE

# COPING

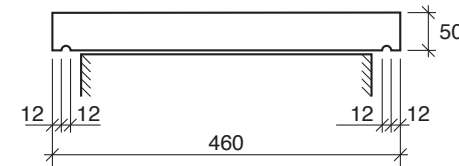
## FLAT COPING TWICE THROATED



**FT 3056 305 x 50 x 600**  
**FT 305 305 x 50 x 900**



**FT 355 355 x 50 x 900**



**FT4606 460 x 50 x 600**  
**FT460 460 x 50 x 900**

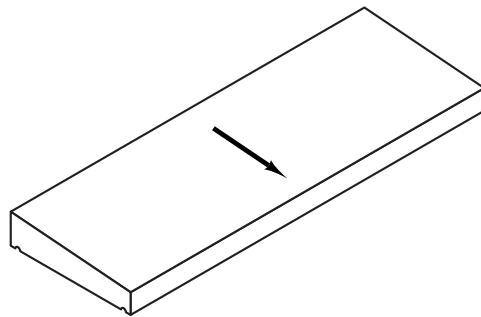
Also available in simulated stone

# ALLEN CONCRETE

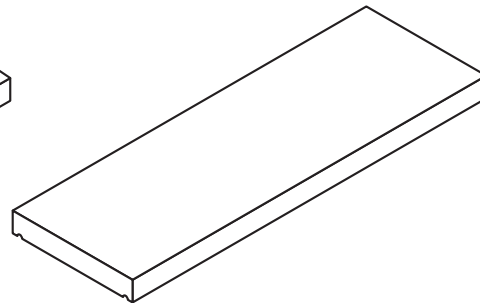
# COPING STONE STYLES

ONCE WEATHERED

FLAT

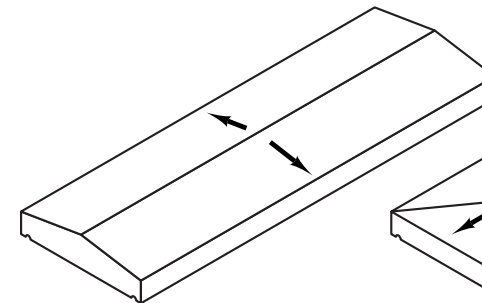


**Straight**

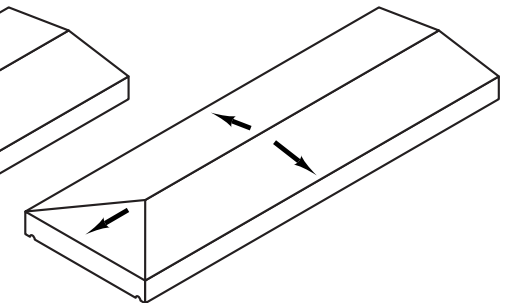


**Straight**

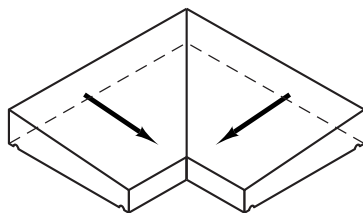
TWICE WEATHERED



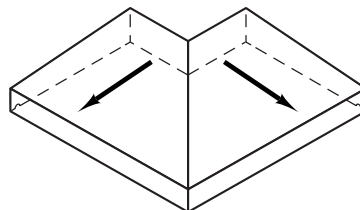
**Straight**



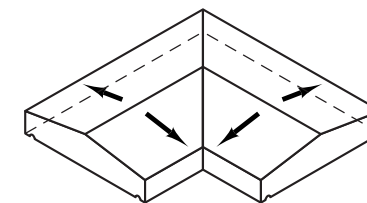
**Fair Return End**



**External 90° Corner**



**Internal 90° Corner**



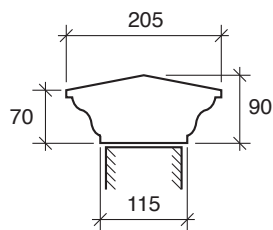
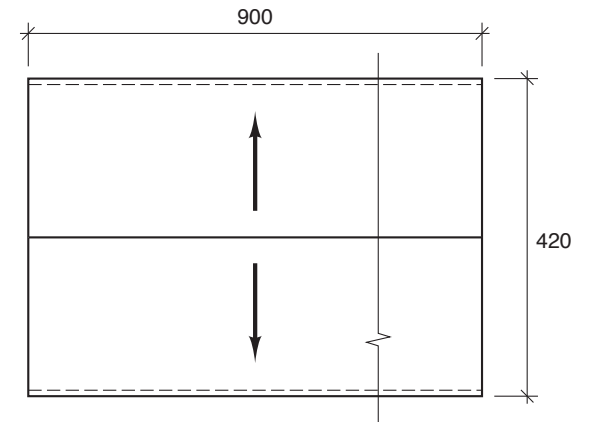
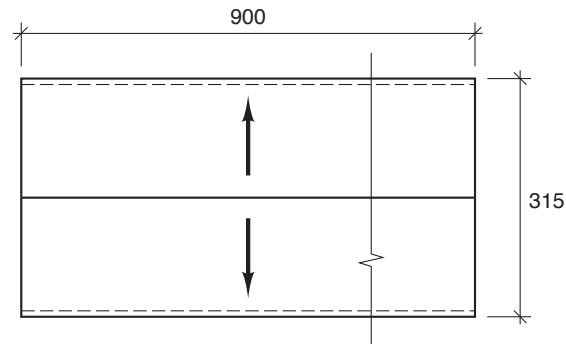
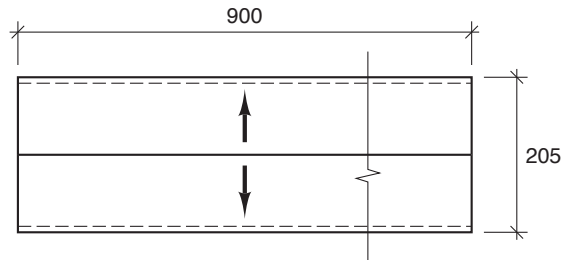
**External/Internal 90° Corner**

ALLEN CONCRETE

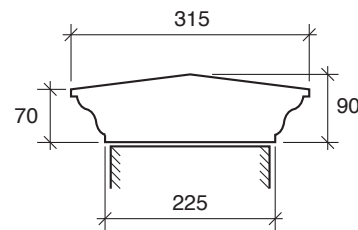
# ORNAMENTAL COPING

TWICE WEATHERED

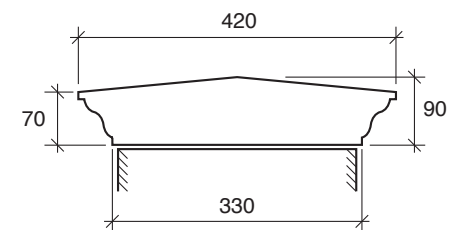
C/SIB Yf2  
PRECAST CONCRETE  
BUILDING PRODUCTS



STW115 to suit 105 wall



STW225 to suit 215 wall



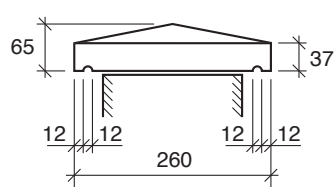
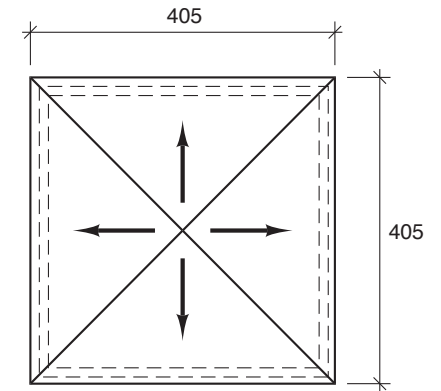
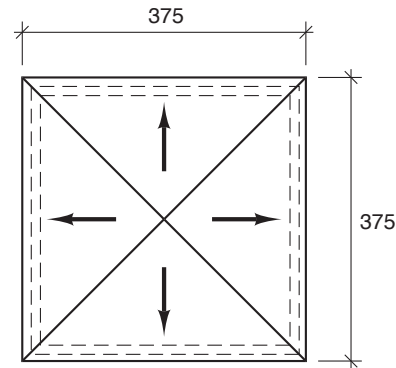
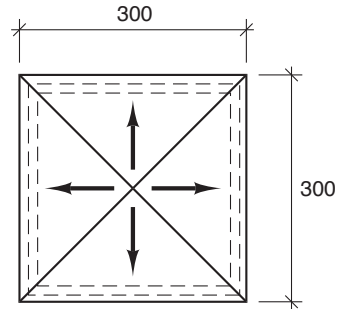
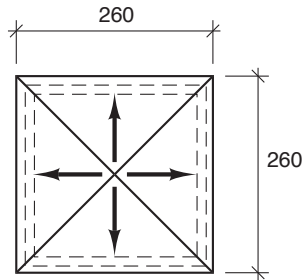
STW330 to suit 320 wall

Also available in simulated stone

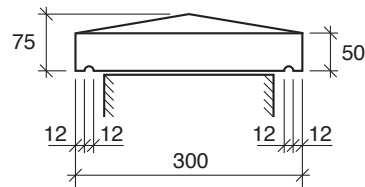
ALLEN CONCRETE

# PIER CAPS

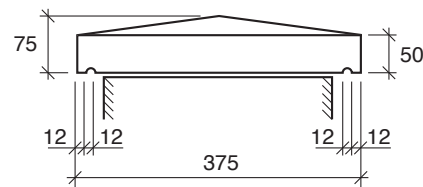
C/SIB **Yf2**  
 PRECAST CONCRETE  
 BUILDING PRODUCTS



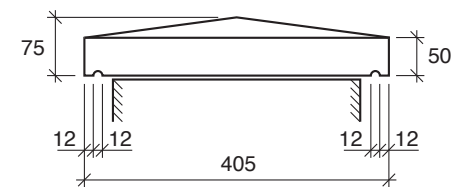
**PC260**



**PC300**



**PC375**



**PC405**

Also available in simulated stone

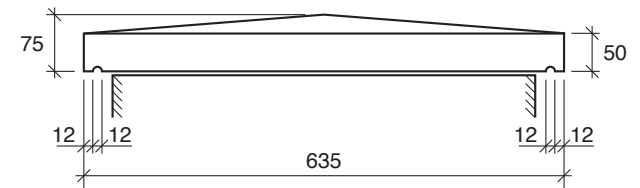
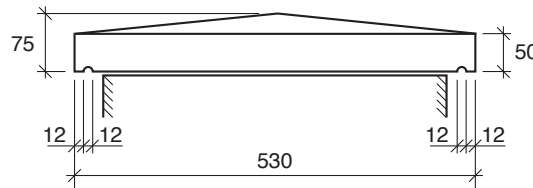
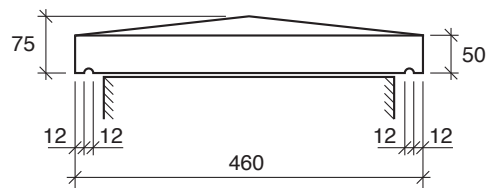
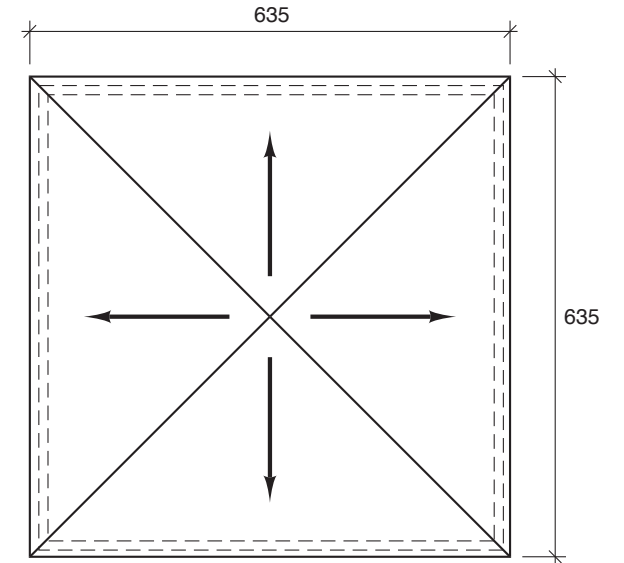
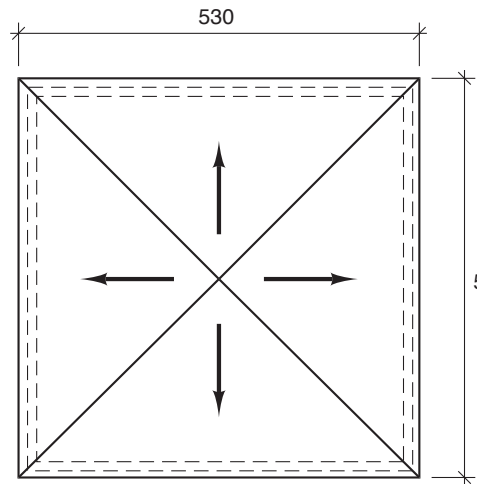
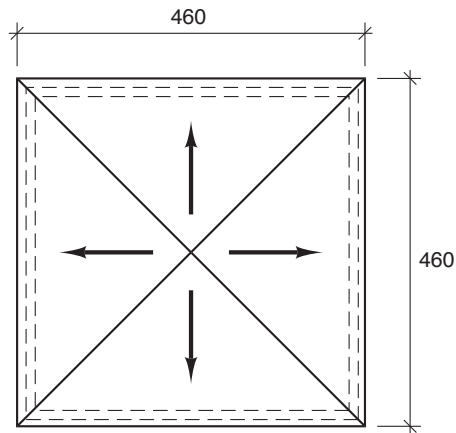
*continued overleaf*

**ALLEN CONCRETE**

# PIER CAPS

*continued*

C/SIB Yf2  
 PRECAST CONCRETE  
 BUILDING PRODUCTS



**PC460**

**PC530**

**PC635**

Also available in simulated stone

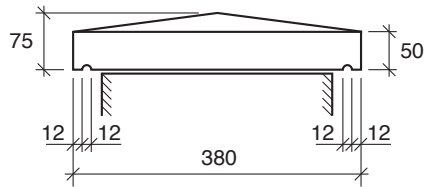
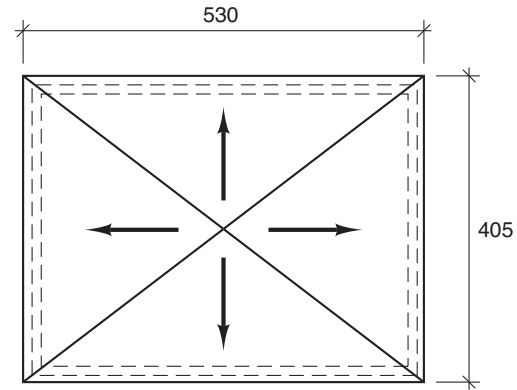
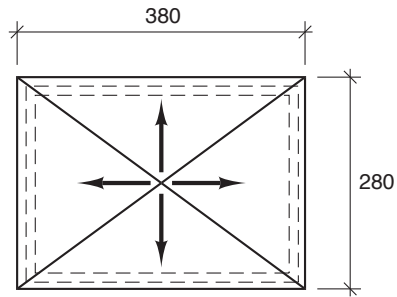
*continued overleaf*

**ALLEN CONCRETE**

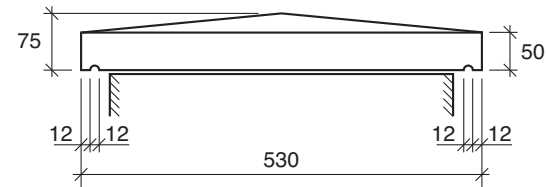
# PIER CAPS

*continued*

C/SIB Yf2  
PRECAST CONCRETE  
BUILDING PRODUCTS



**PC01**

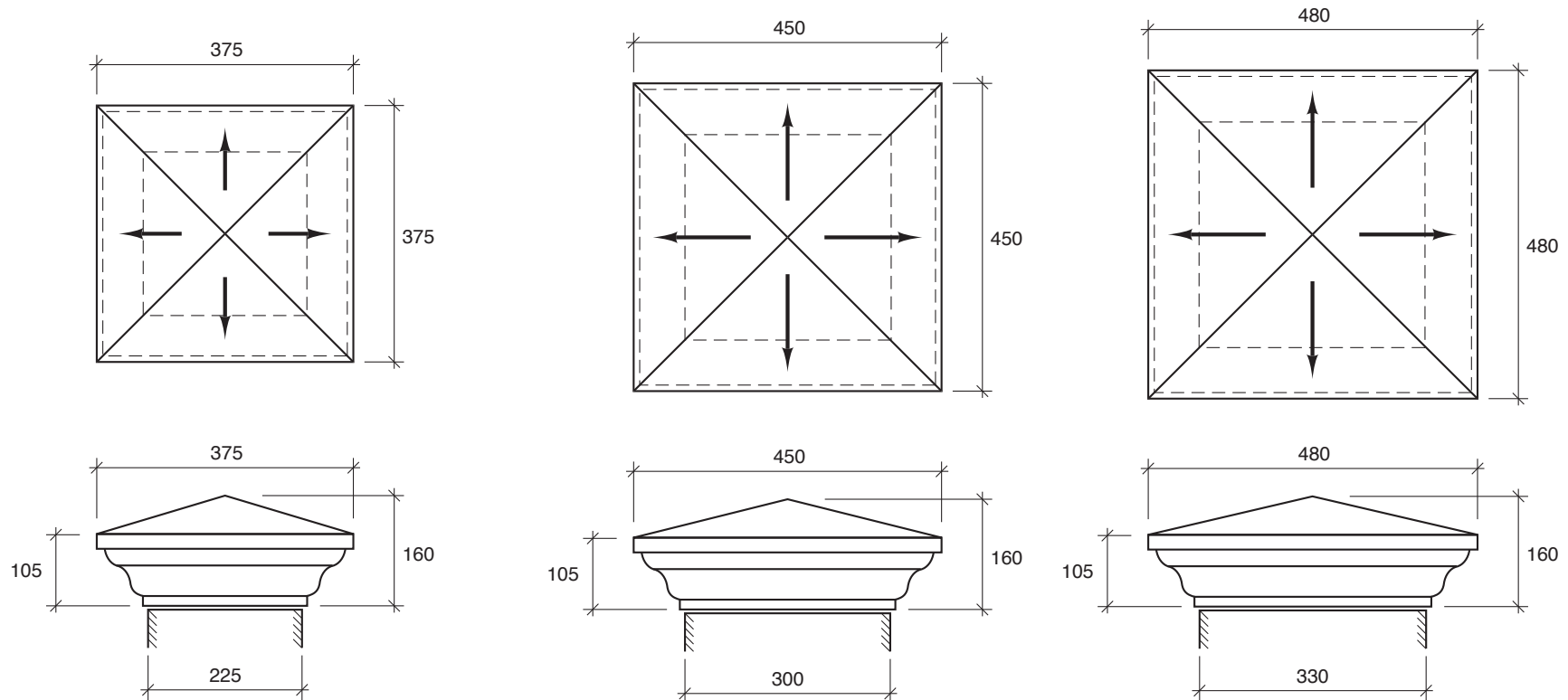


**PC02**

**ALLEN CONCRETE**

Also available in simulated stone

# ORNAMENTAL PIER CAPS



**SPC225** to suit 225sq pier

**SPC300** to suit 300sq pier

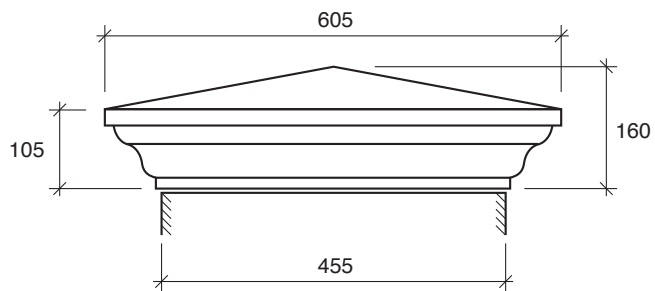
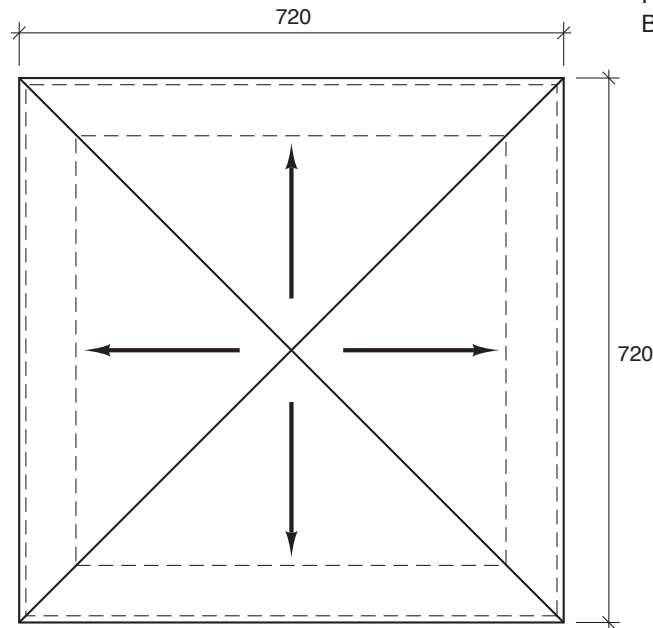
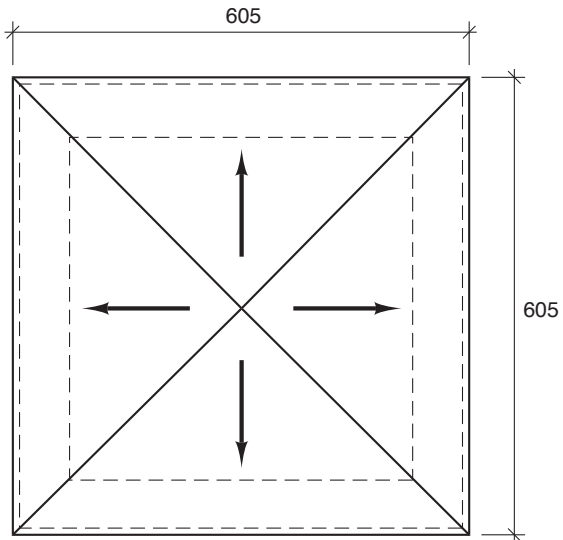
**SPC330** to suit 330sq pier

Also available in simulated stone

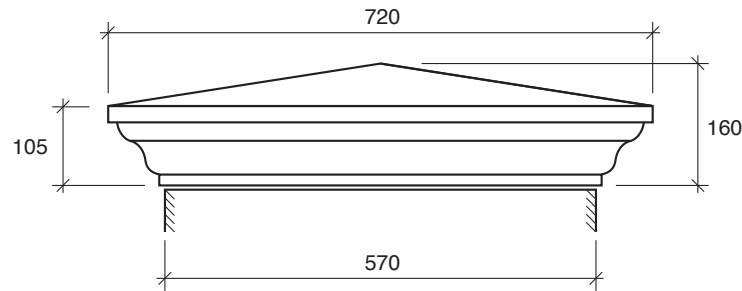
*continued overleaf*

# ALLEN CONCRETE

*continued*



**SPC455** to suit 455sq pier



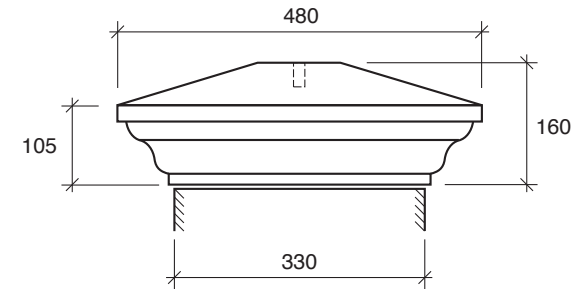
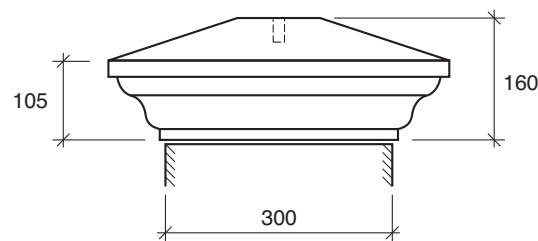
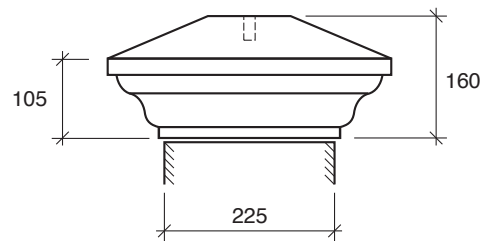
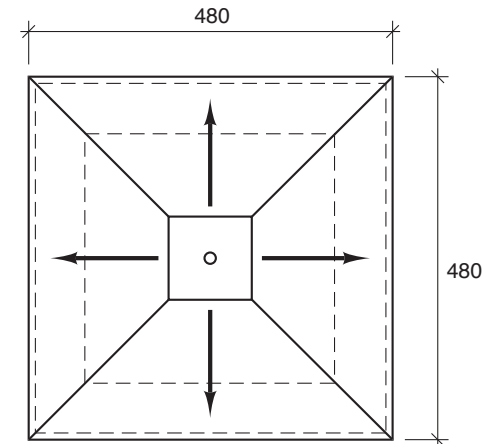
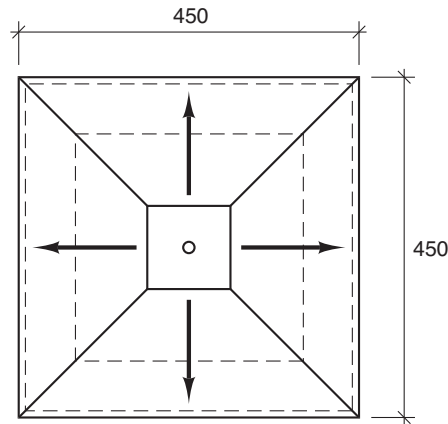
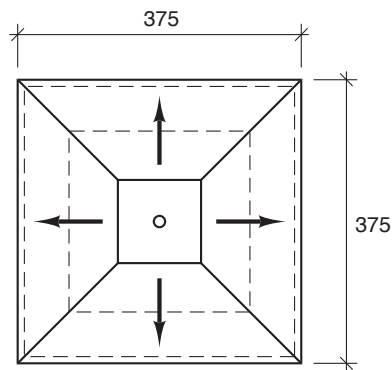
**SPC570** to suit 570sq pier

Also available in simulated stone

**ALLEN CONCRETE**

# ORNAMENTAL PIER CAPS

TO RECEIVE SPHERE *see page 17*



**SPCS225** to suit 225sq pier

**SPCS300** to suit 300sq pier

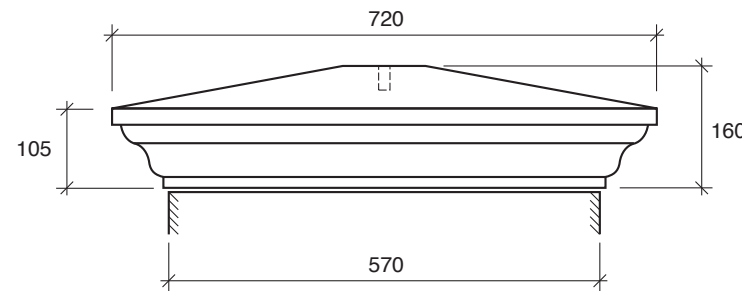
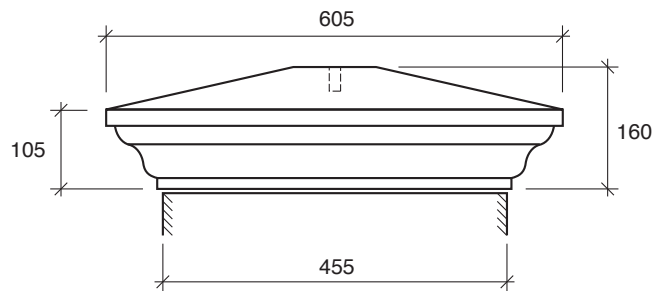
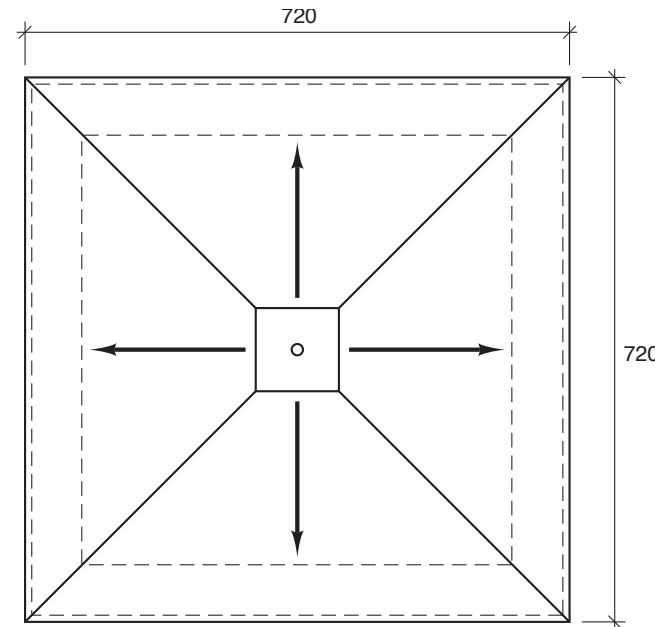
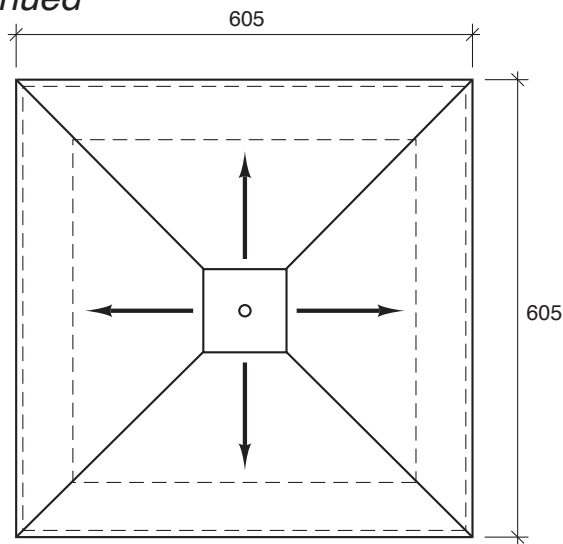
**SPCS330** to suit 330sq pier

Also available in simulated stone

*continued overleaf*

**ALLEN CONCRETE**

*continued*



**SPCS455** to suit 455sq pier

**SPCS570** to suit 570sq pier

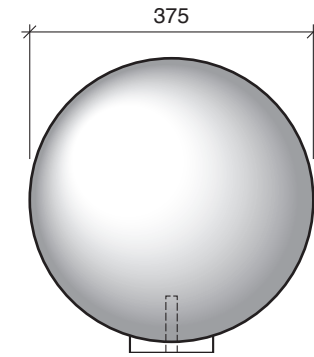
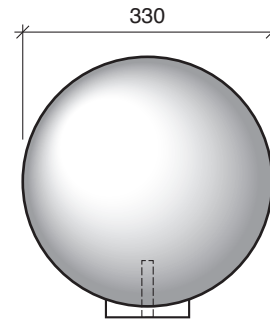
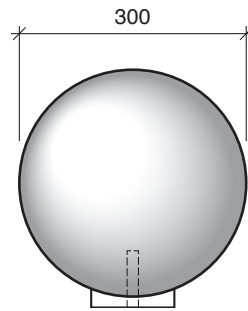
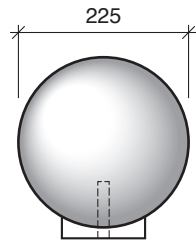
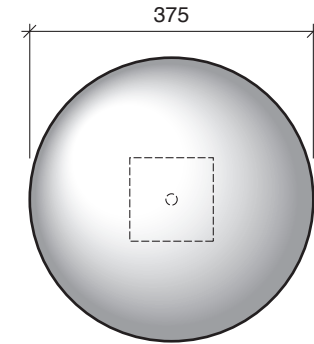
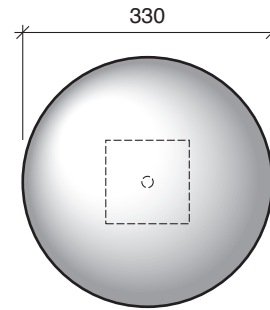
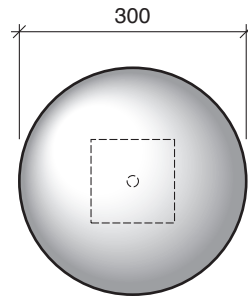
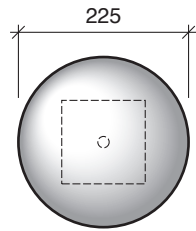
Also available in simulated stone

See page 17  
 for spheres  
 to suit

# SPHERES

see pages 15 & 16 for suitable Pier Caps

C/SIB Yf2  
PRECAST CONCRETE  
BUILDING PRODUCTS



SS225

SS300

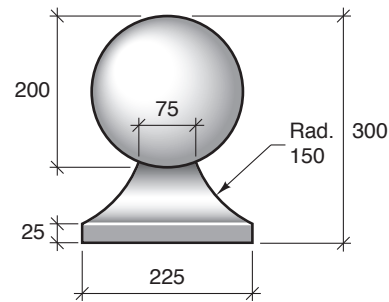
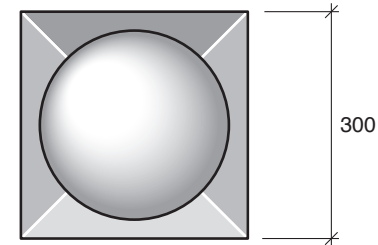
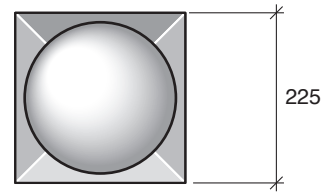
SS330

SS375

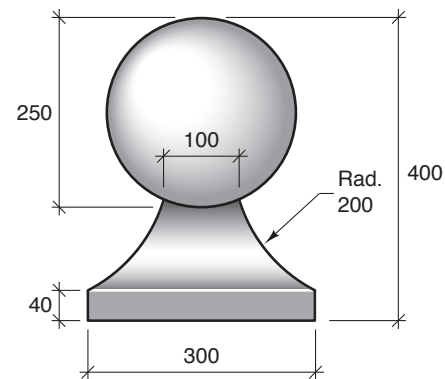
Also available in simulated stone

ALLEN CONCRETE

# SPHERES COMBINED WITH SQUARE BASES



**SPS225**



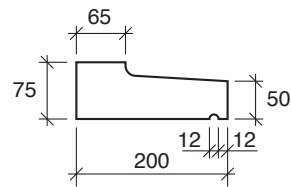
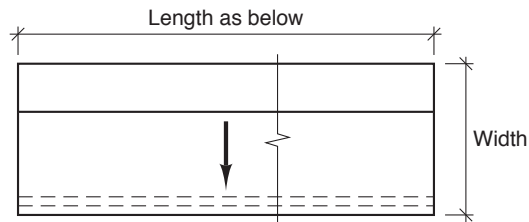
**SPS300**

Also available in simulated stone

**ALLEN CONCRETE**

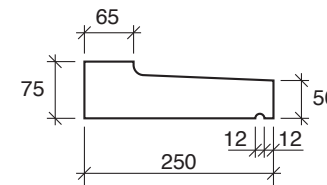
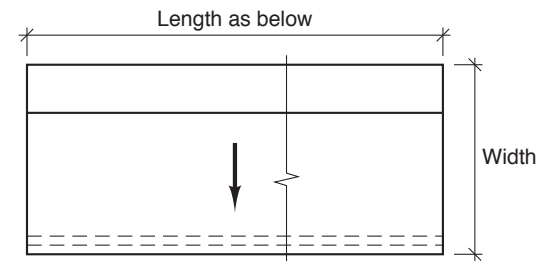
# CILLS

## NON STOOLED



**CILL 200 x 75 - 50**

<b>S2600</b>	<b>600</b>	<b>long</b>	<b>non stooled</b>
<b>S2750</b>	<b>750</b>	<b>long</b>	<b>non stooled</b>
<b>S2900</b>	<b>900</b>	<b>long</b>	<b>non stooled</b>
<b>S21050</b>	<b>1050</b>	<b>long</b>	<b>non stooled</b>
<b>S21200</b>	<b>1200</b>	<b>long</b>	<b>non stooled</b>
<b>S21350</b>	<b>1350</b>	<b>long</b>	<b>non stooled</b>
<b>S21500</b>	<b>1500</b>	<b>long</b>	<b>non stooled</b>
<b>S21800</b>	<b>1800</b>	<b>long</b>	<b>non stooled</b>



**CILL 250 x 75 - 50**

<b>S25600</b>	<b>600</b>	<b>long</b>	<b>non stooled</b>
<b>S25750</b>	<b>750</b>	<b>long</b>	<b>non stooled</b>
<b>S25900</b>	<b>900</b>	<b>long</b>	<b>non stooled</b>
<b>S251050</b>	<b>1050</b>	<b>long</b>	<b>non stooled</b>
<b>S251200</b>	<b>1200</b>	<b>long</b>	<b>non stooled</b>
<b>S251350</b>	<b>1350</b>	<b>long</b>	<b>non stooled</b>
<b>S251500</b>	<b>1500</b>	<b>long</b>	<b>non stooled</b>
<b>S251800</b>	<b>1800</b>	<b>long</b>	<b>non stooled</b>

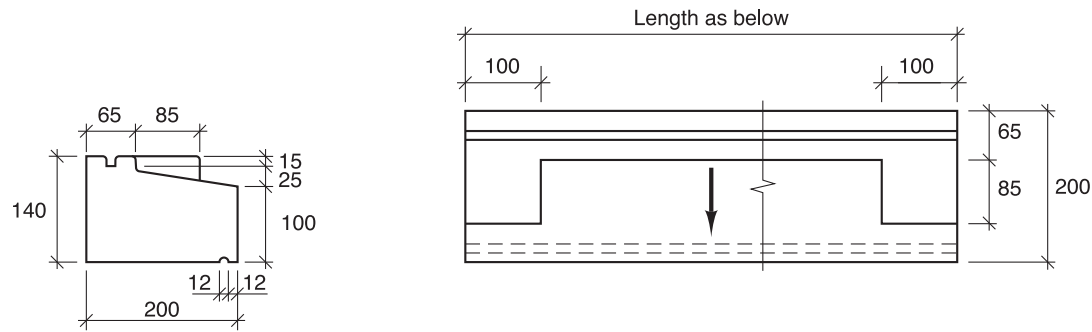
Also available in simulated stone

# ALLEN CONCRETE

# CILLS

STOOLED BOTH ENDS

C/SIB Yf2  
PRECAST CONCRETE  
BUILDING PRODUCTS



**SE0660** 660 long for 460 opening – stooled both ends

**SE0885** 885 long for 685 opening – stooled both ends

Also available in simulated stone

ALLEN CONCRETE

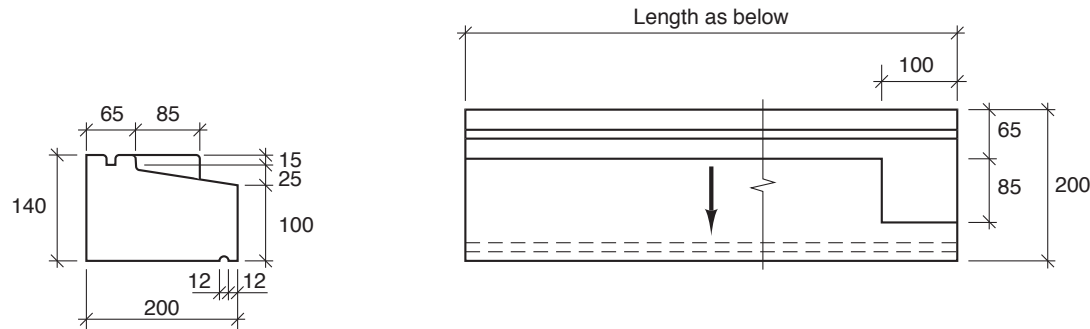
20  
CILLS

01/04/2011

# CILLS

## RIGHT HAND STOOLED

CI/SIB Yf2  
 PRECAST CONCRETE  
 BUILDING PRODUCTS



<b>SE0550R</b>	<b>550 long</b>	<b>stooled right hand</b>
<b>SE0775R</b>	<b>775 long</b>	<b>stooled right hand</b>
<b>SE1000R</b>	<b>1000 long</b>	<b>stooled right hand</b>
<b>SE1225R</b>	<b>1225 long</b>	<b>stooled right hand</b>
<b>SE1338R</b>	<b>1338 long</b>	<b>stooled right hand</b>
<b>SE1450R</b>	<b>1450 long</b>	<b>stooled right hand</b>
<b>SE1675R</b>	<b>1675 long</b>	<b>stooled right hand</b>

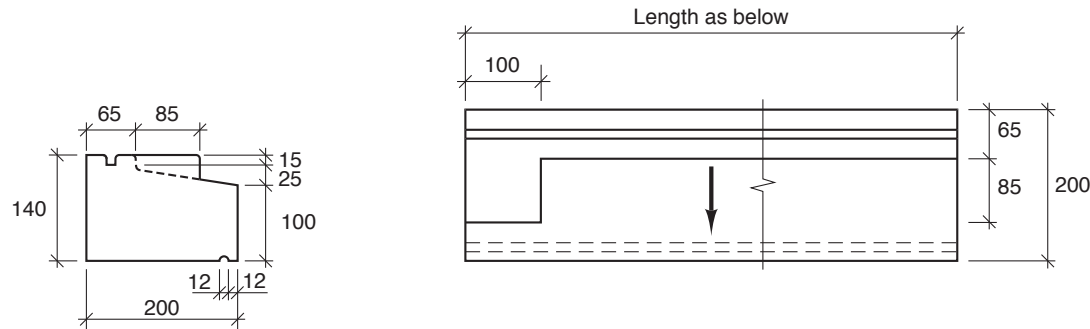
Also available in simulated stone

# ALLEN CONCRETE

# CILLS

## LEFT HAND STOOLED

CI/SIB Yf2  
PRECAST CONCRETE  
BUILDING PRODUCTS



<b>SE0550L</b>	<b>550 long</b>	<b>stooled left hand</b>
<b>SE0775L</b>	<b>775 long</b>	<b>stooled left hand</b>
<b>SE1000L</b>	<b>1000 long</b>	<b>stooled left hand</b>
<b>SE1225L</b>	<b>1225 long</b>	<b>stooled left hand</b>
<b>SE1338L</b>	<b>1338 long</b>	<b>stooled left hand</b>
<b>SE1450L</b>	<b>1450 long</b>	<b>stooled left hand</b>
<b>SE1675L</b>	<b>1675 long</b>	<b>stooled left hand</b>

Also available in simulated stone

# ALLEN CONCRETE

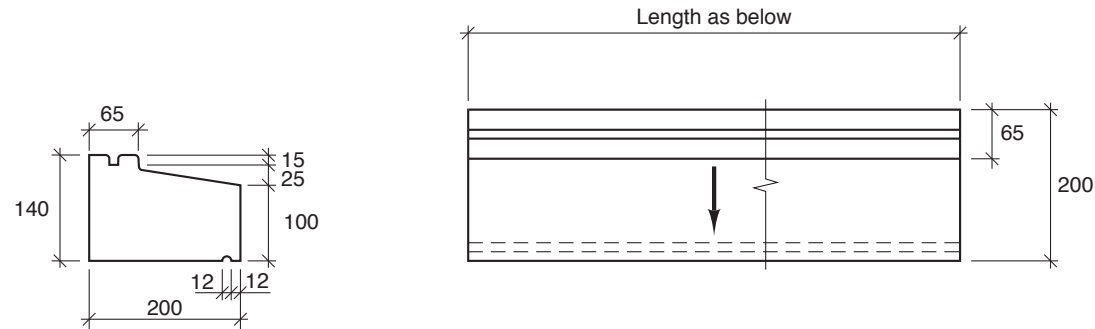
22  
CILLS

01/04/2011

# CILLS

## CENTRE SECTION

CI/SIB Yf2  
PRECAST CONCRETE  
BUILDING PRODUCTS



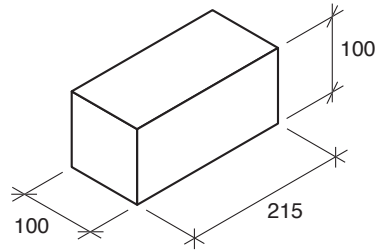
<b>SE0450C</b>	<b>450 long</b>	<b>non stooled - centre section</b>
<b>SE0675C</b>	<b>675 long</b>	<b>non stooled - centre section</b>
<b>SE0900C</b>	<b>900 long</b>	<b>non stooled - centre section</b>
<b>SE1125C</b>	<b>1125 long</b>	<b>non stooled - centre section</b>
<b>SE1238C</b>	<b>1238 long</b>	<b>non stooled - centre section</b>
<b>SE1350C</b>	<b>1350 long</b>	<b>non stooled - centre section</b>
<b>SE1575C</b>	<b>1575 long</b>	<b>non stooled - centre section</b>

Also available in simulated stone

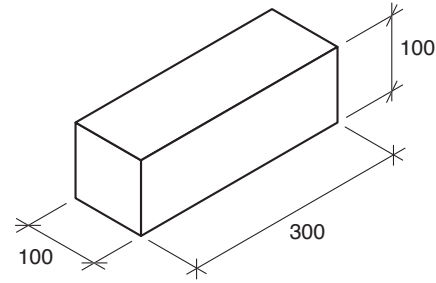
# ALLEN CONCRETE

# PADSTONES

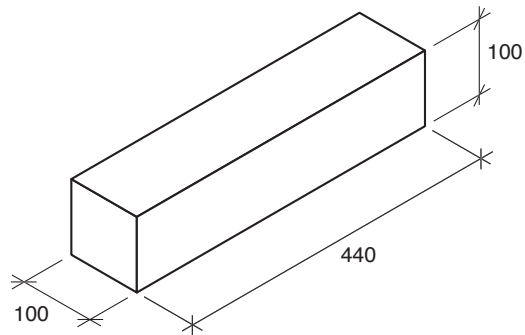
C/SIB Yf2  
PRECAST CONCRETE  
BUILDING PRODUCTS



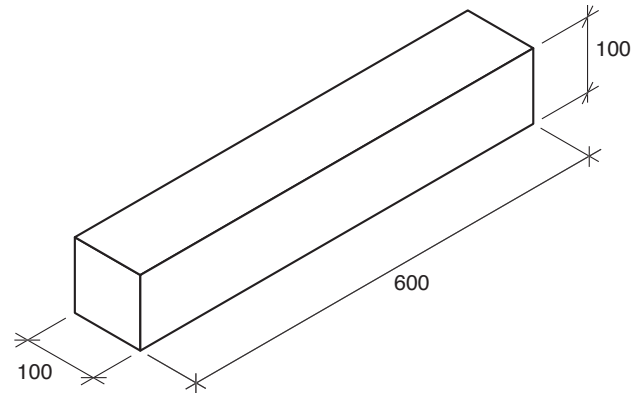
**215 x 100 x 100  
PAD001**



**300 x 100 x 100  
PAD002**



**440 x 100 x 100  
PAD003**



**600 x 100 x 100  
PAD004**

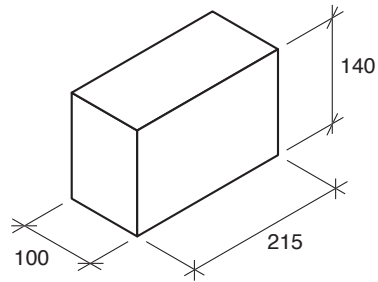
*continued overleaf*

**ALLEN CONCRETE**

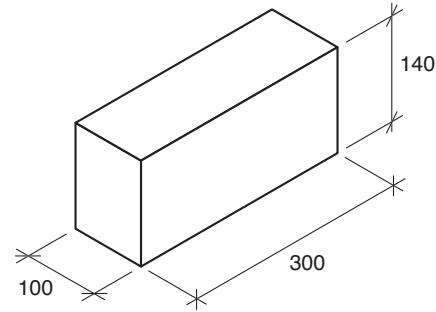
# PADSTONES

*continued*

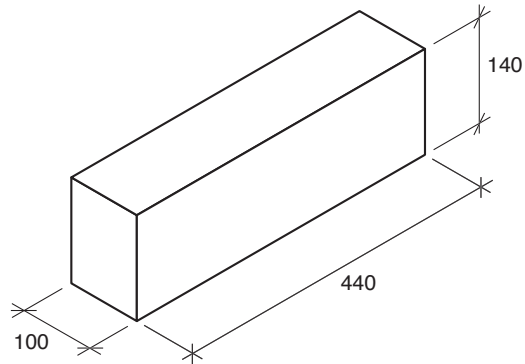
C/SIB Yf2  
PRECAST CONCRETE  
BUILDING PRODUCTS



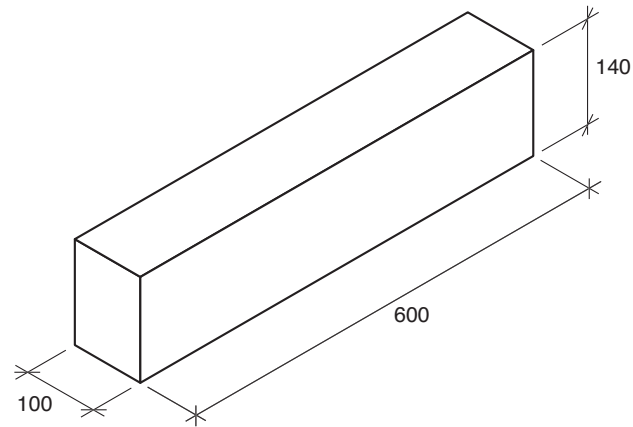
**215 x 100 x 140  
PAD005**



**300 x 100 x 140  
PAD006**



**440 x 100 x 140  
PAD007**



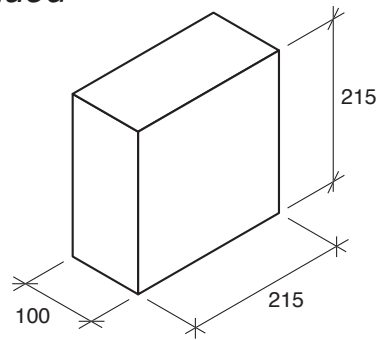
**600 x 100 x 140  
PAD008**

*continued overleaf*

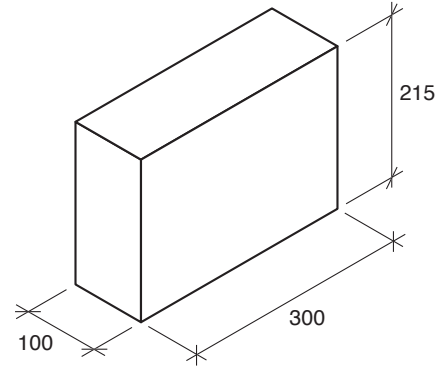
# ALLEN CONCRETE

# PADSTONES

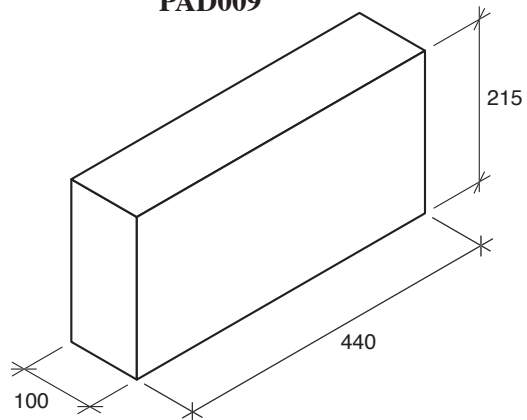
*continued*



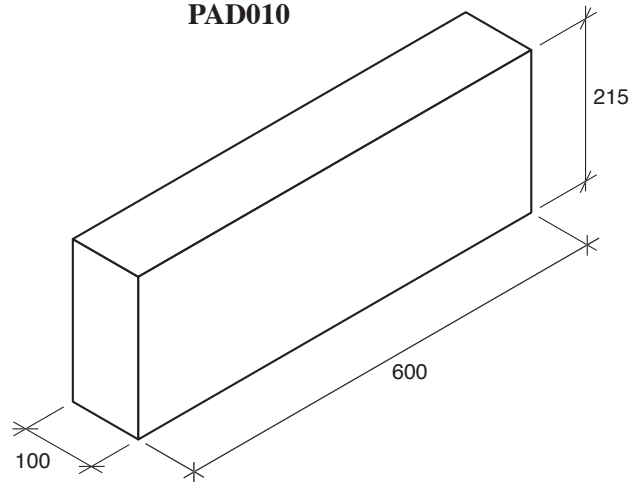
**215 x 100 x 215  
PAD009**



**300 x 100 x 215  
PAD010**



**440 x 100 x 215  
PAD011**



**600 x 100 x 215  
PAD012**

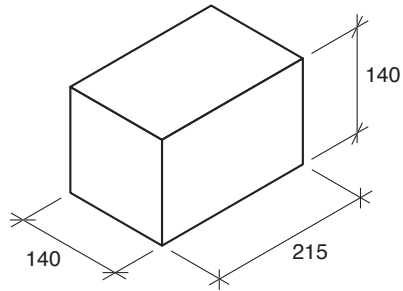
*continued overleaf*

# ALLEN CONCRETE

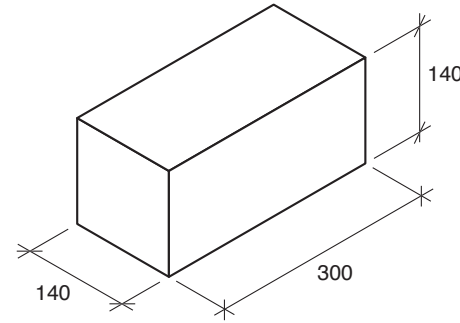
# PADSTONES

*continued*

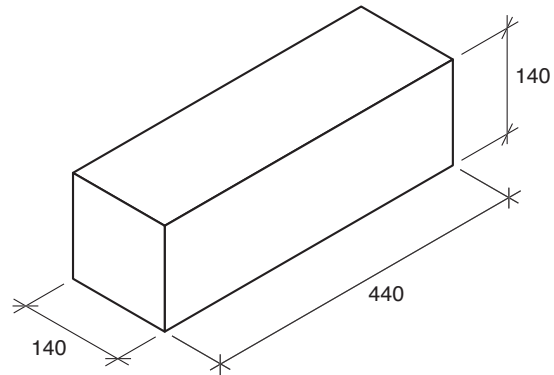
C/SIB Yf2  
PRECAST CONCRETE  
BUILDING PRODUCTS



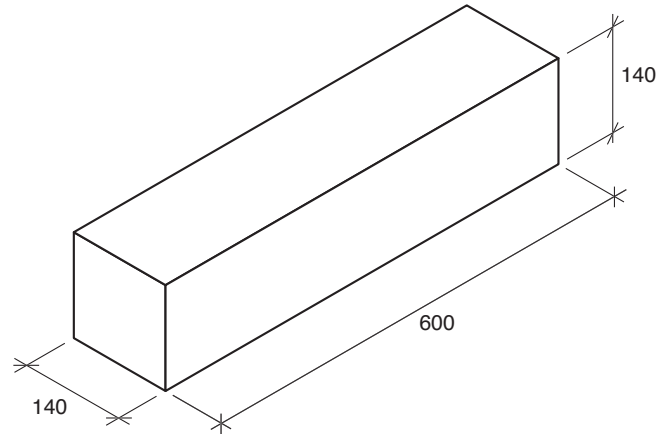
**215 x 140 x 140  
PAD013**



**300 x 140 x 140  
PAD014**



**440 x 140 x 140  
PAD015**



**600 x 140 x 140  
PAD016**

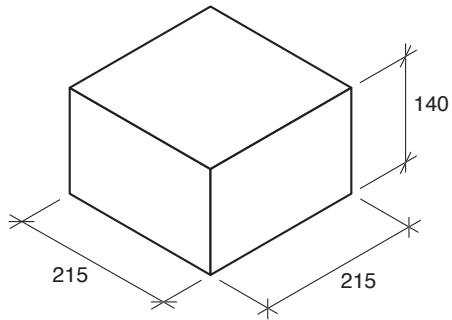
*continued overleaf*

# ALLEN CONCRETE

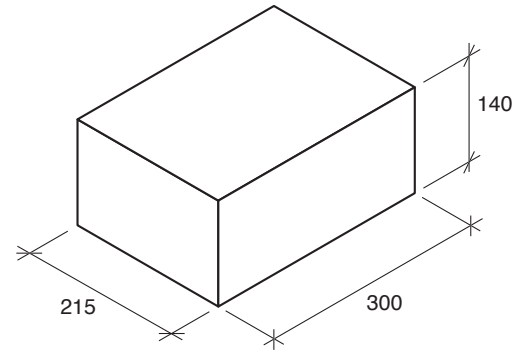
# PADSTONES

*continued*

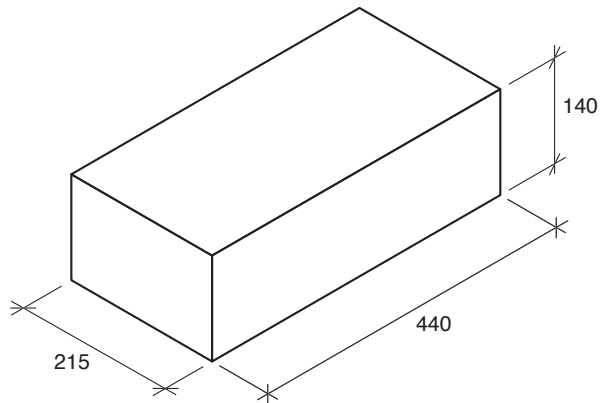
C/SIB Yf2  
PRECAST CONCRETE  
BUILDING PRODUCTS



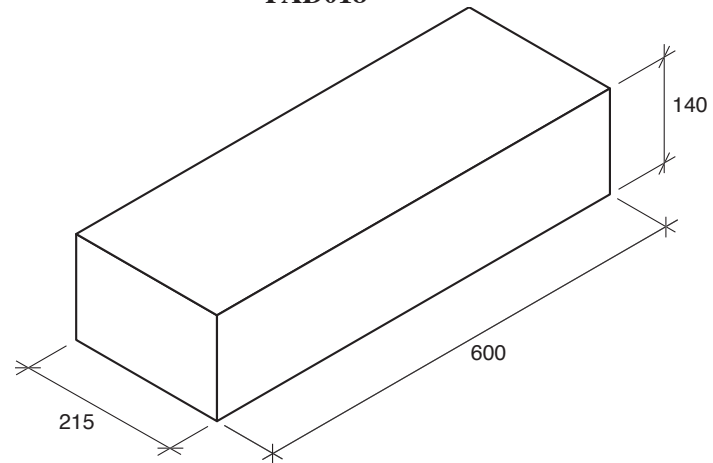
**215 x 215 x 140  
PAD017**



**300 x 215 x 140  
PAD018**



**440 x 215 x 140  
PAD019**



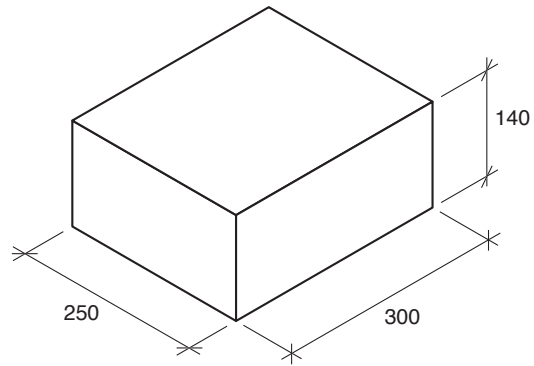
**600 x 215 x 140  
PAD020**

*continued overleaf*

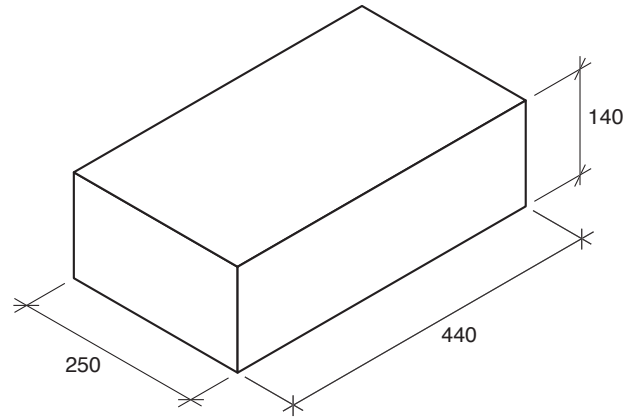
# ALLEN CONCRETE

# PADSTONES

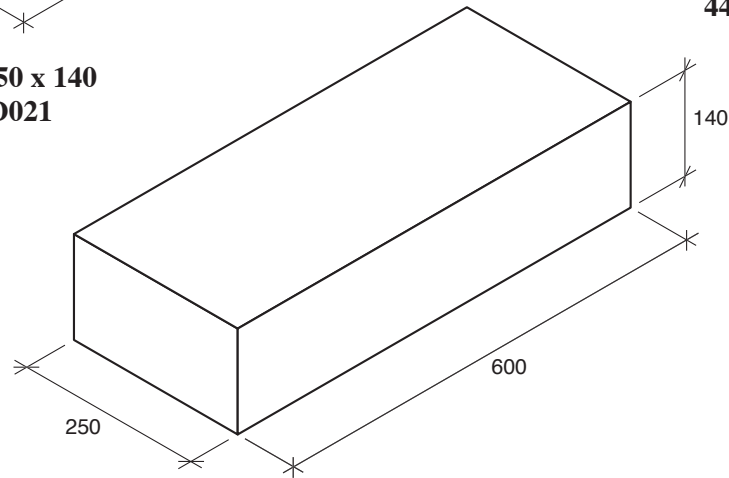
*continued*



**300 x 250 x 140  
PAD021**



**440 x 250 x 140  
PAD022**



**600 x 250 x 140  
PAD023**

C/SIB **Yf2**  
PRECAST CONCRETE  
BUILDING PRODUCTS

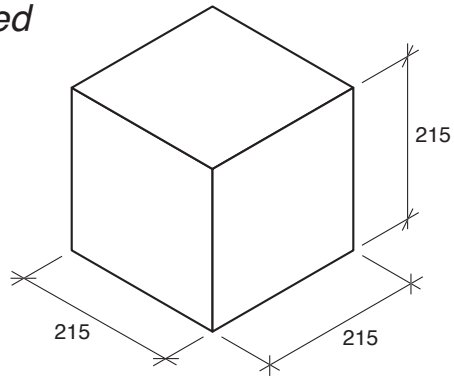
*continued overleaf*

# ALLEN CONCRETE

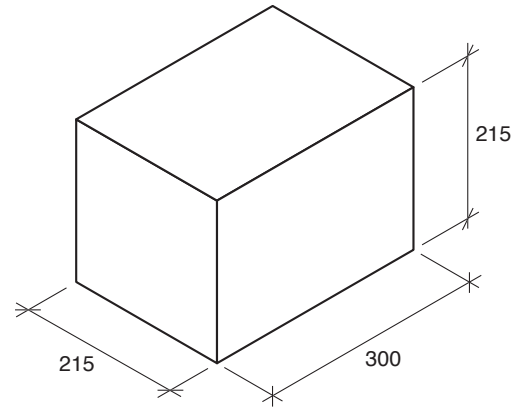
# PADSTONES

*continued*

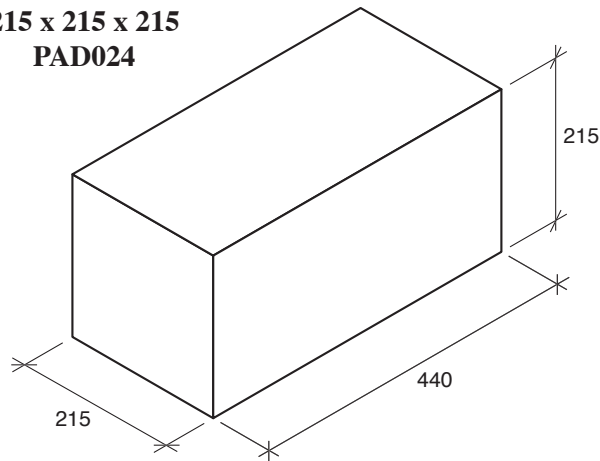
CI/SIB **Yf2**  
PRECAST CONCRETE  
BUILDING PRODUCTS



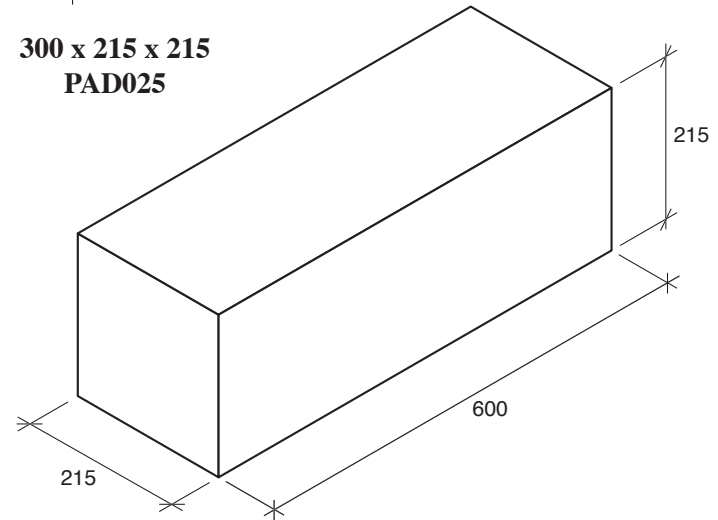
**215 x 215 x 215  
PAD024**



**300 x 215 x 215  
PAD025**



**440 x 215 x 215  
PAD026**



**600 x 215 x 215  
PAD027**

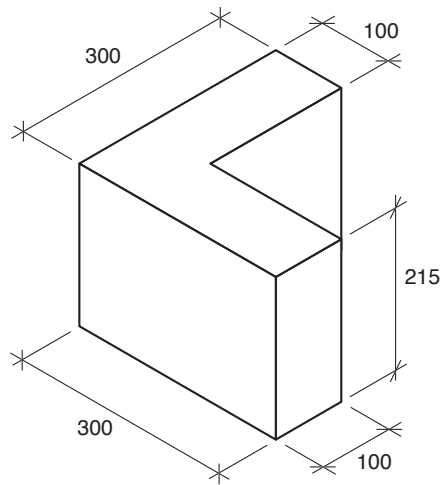
*continued overleaf*

# ALLEN CONCRETE

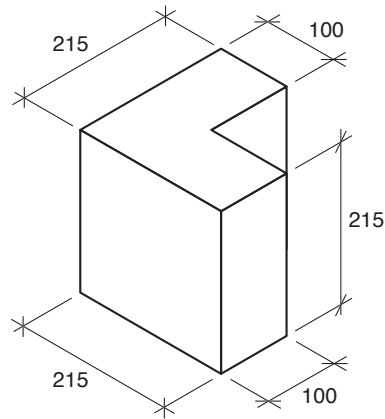
# PADSTONES

*continued*

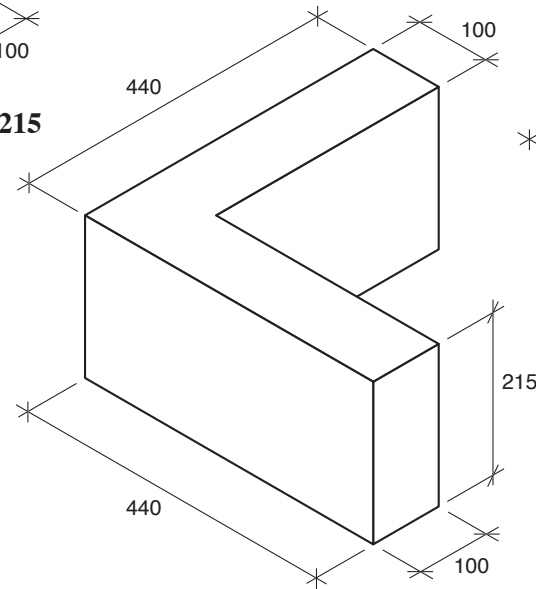
C/SIB **Yf2**  
PRECAST CONCRETE  
BUILDING PRODUCTS



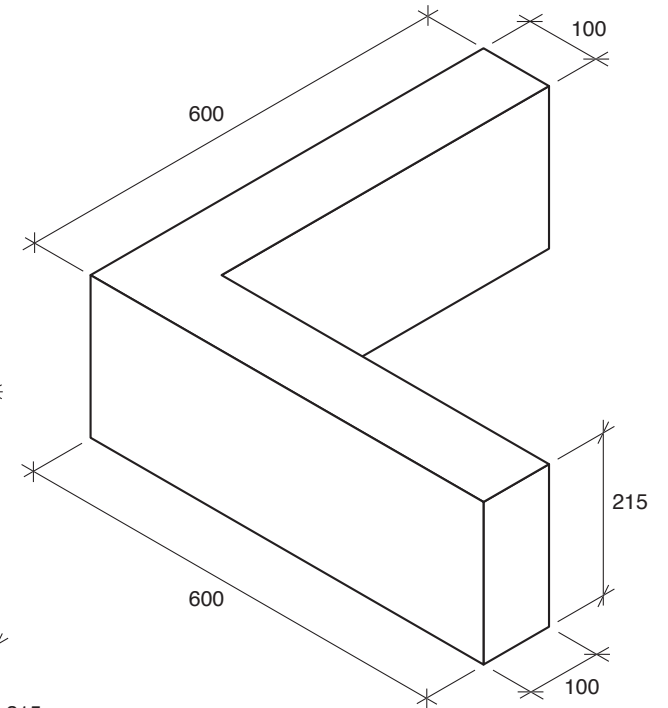
**300 x 300 x 100 x 215**  
**PAD029L**



**215 x 215 x 100 x 215**  
**PAD028L**



**440 x 440 x 100 x 215**  
**PAD030L**

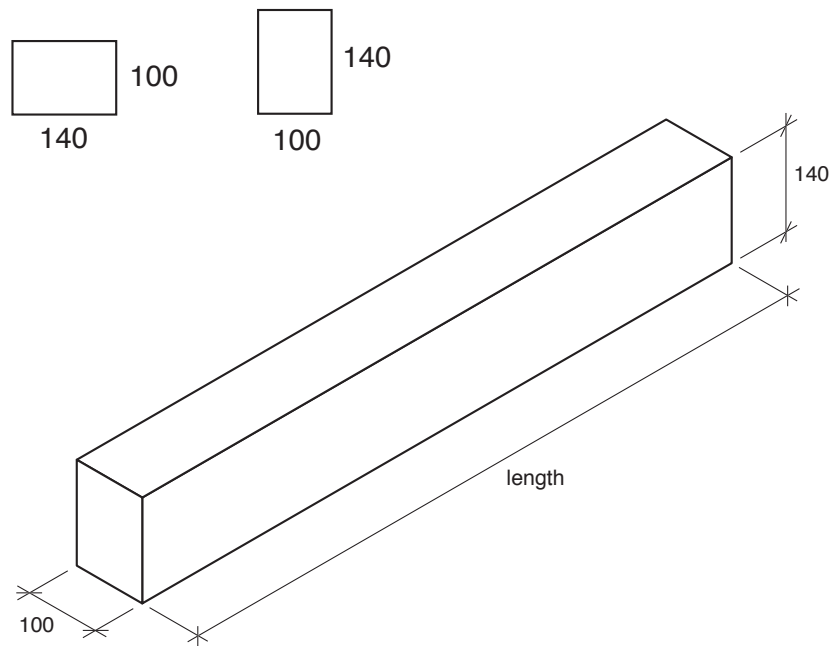


**600 x 600 x 100 x 215**  
**PAD031L**

*continued overleaf*

**ALLEN CONCRETE**

# PRE-CAST CONCRETE LINTELS



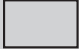

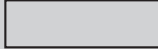

- LN01 600 long**
- LN02 750 long**
- LN03 900 long**
- LN04 1050 long**
- LN05 1200 long**
- LN06 1350 long**
- LN07 1500 long**

This product may be  
used either way up

ALLEN CONCRETE

# PRE-STRESSED LINTELS

## PLANK LINTELS 65mm DEEP

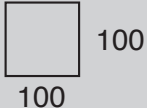



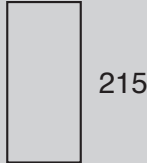
Nominal Size	 65 100	 65 140	 65 215	 65 255
600	PL004		PL040	
750	PL005		PL041	
900	PL006	PL019	PL042	PL061
1050	PL007	PL020	PL043	PL062
1200	PL008	PL021	PL044	PL063
1350	PL009	PL022	PL045	PL064
1500	PL010	PL023	PL046	PL065
1800	PL012	PL024	PL048	PL067
2100	PL014	PL025	PL050	PL069
2400	PL016	PL026	PL052	PL070
2700	PL017	PL027	PL054	PL071
3000	PL018	PL028	PL056	PL072

ALLEN CONCRETE

# PRE-STRESSED LINTELS

## BEAM LINTELS

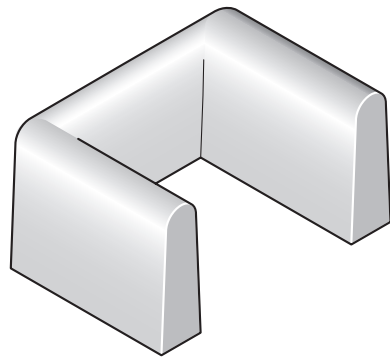
These products may be used either way up except 140 x150 section

Nominal Size	 100	 140	 150	 140	 215
	100	100	140	215	100
900	RL000	RL012	RL047	RL114	RL024
1050	RL001	RL013	RL048	RL115	RL025
1200	RL002	RL014	RL049	RL116	RL026
1350	RL003	RL015	RL050	RL117	RL027
1500	RL004	RL016	RL051	RL118	RL028
1800	RL005	RL017	RL052	RL119	RL029
2100	RL006	RL018	RL053	RL120	RL030
2400	RL007	RL019	RL054	RL121	RL031
2700	RL008	RL020	RL055	RL122	RL032
3000	RL009	RL021	RL056	RL123	RL033
3300		RL022	RL057	RL124	RL034

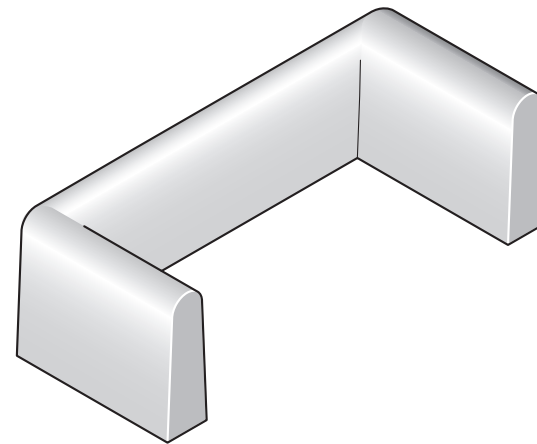
ALLEN CONCRETE

# GULLY SURROUNDS

C/SIB Yf2  
PRECAST CONCRETE  
BUILDING PRODUCTS



**230 x 230 x 150 Internal  
GSM1**

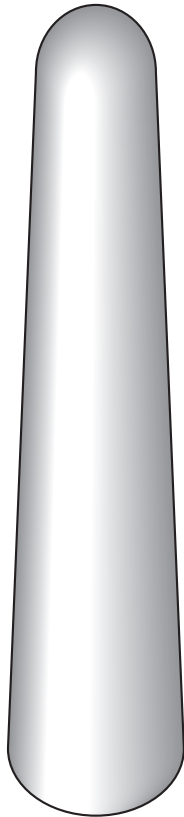


**460 x 230 x 150 Internal  
GSM2**

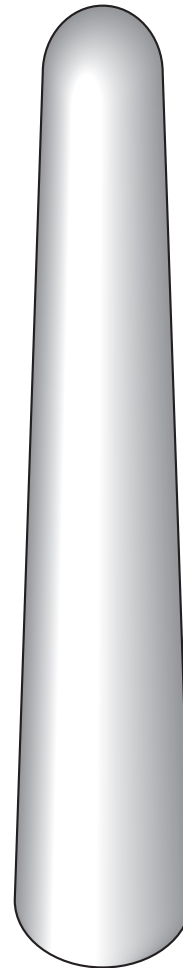
ALLEN CONCRETE

# BOLLARDS

C/SIB Yf2  
PRECAST CONCRETE  
BUILDING PRODUCTS



1065 x 220 – 150  
105BO

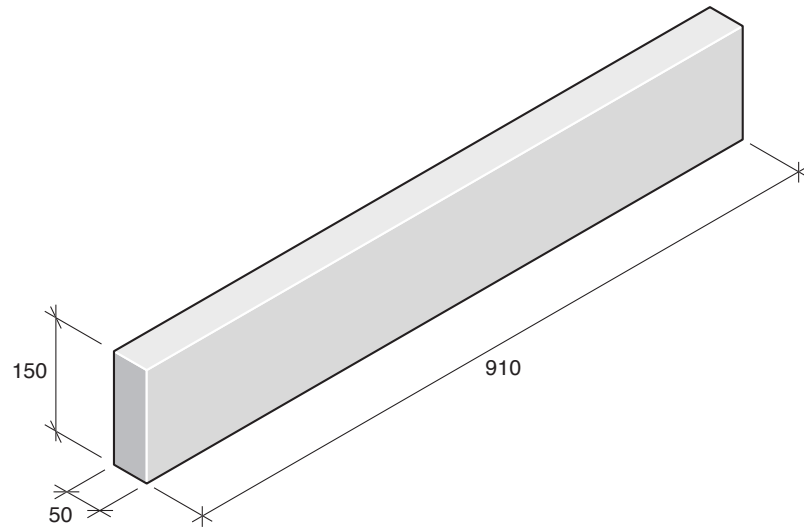


1370 x 230 – 150  
14BO

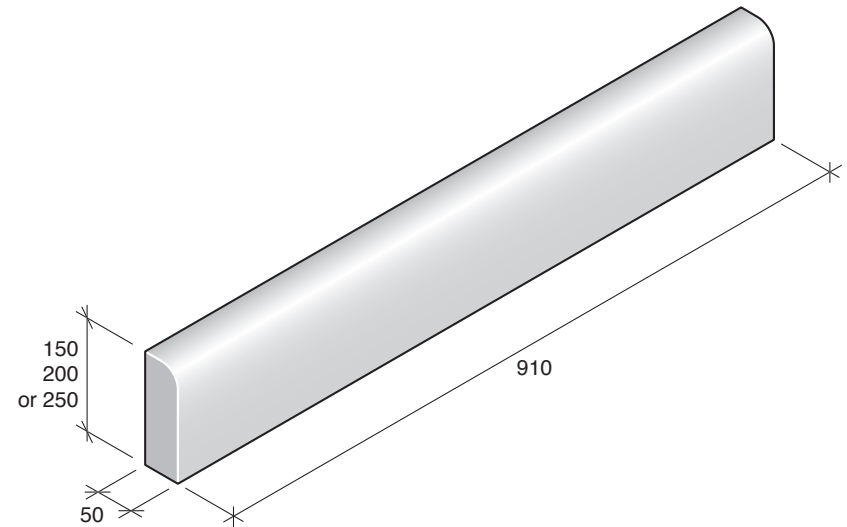
ALLEN CONCRETE

# PATH EDGING

C/SIB Yf2  
PRECAST CONCRETE  
BUILDING PRODUCTS



**ED03** pressed flat top

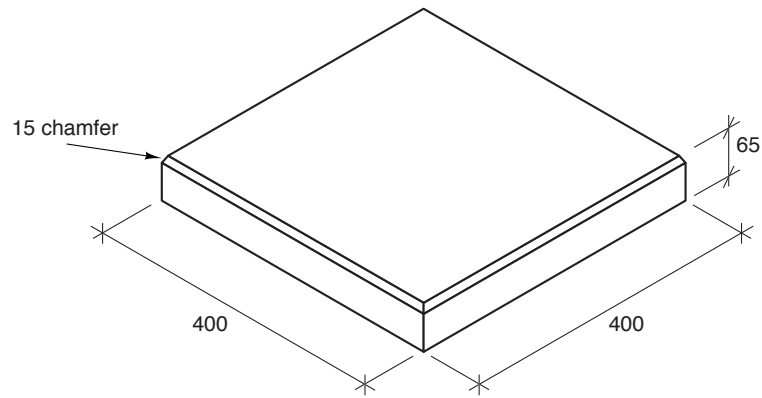


**ED04** pressed bull-nosed top  
**ED05** pressed bull-nosed top  
**ED06** pressed bull-nosed top

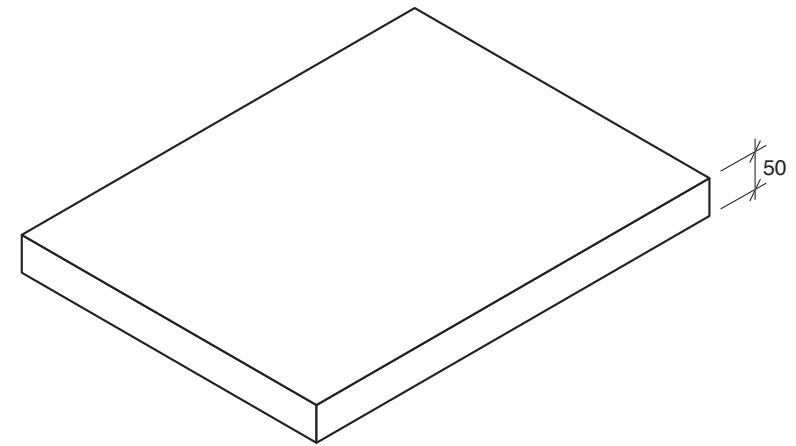
ALLEN CONCRETE

# PRESSED PAVING SLABS

C/SIB Yf2  
PRECAST CONCRETE  
BUILDING PRODUCTS



**S07 400 x 400 x 65**



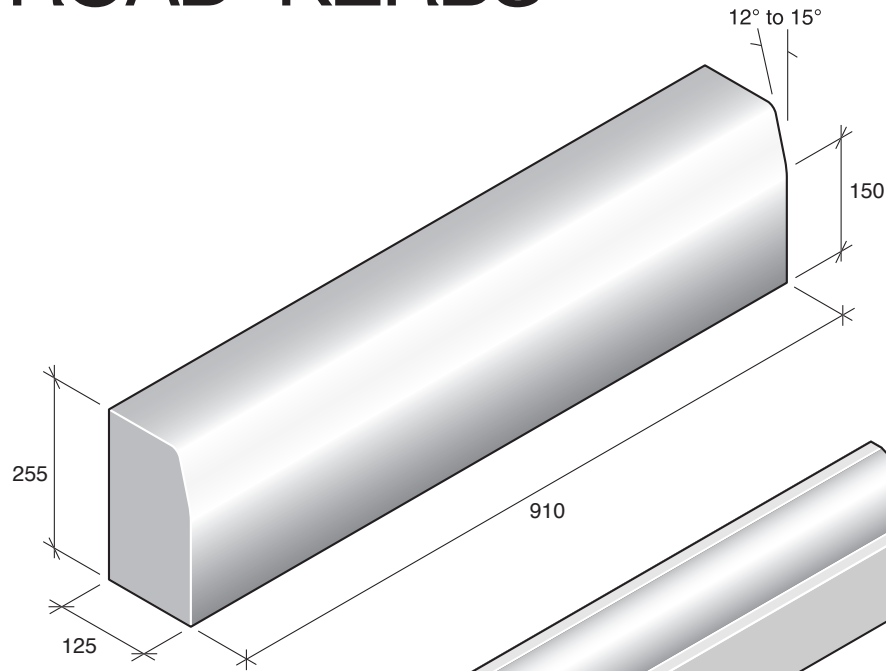
- S08 450 x 600 x 50**
- S09 600 x 600 x 50**
- S10 750 x 600 x 50**
- S11 900 x 600 x 50**

ALLEN CONCRETE

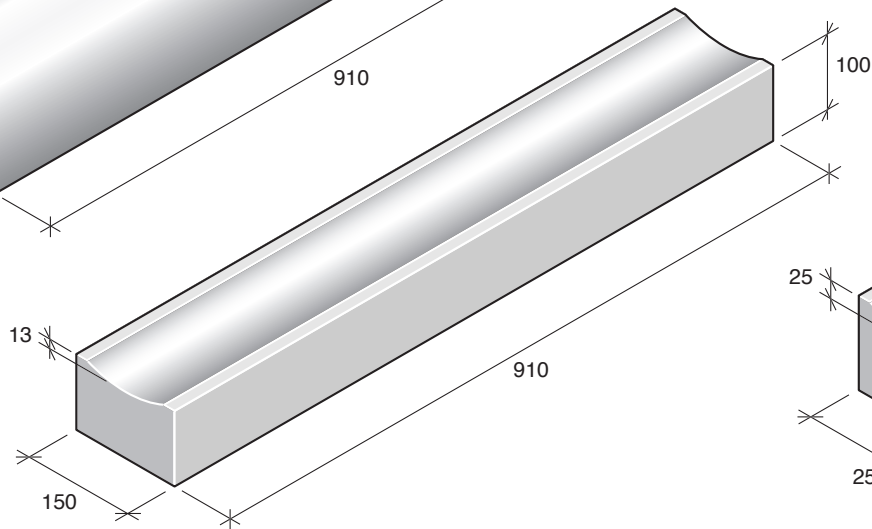
# ROAD KERBS

C/SIB Yf2  
PRECAST CONCRETE  
BUILDING PRODUCTS

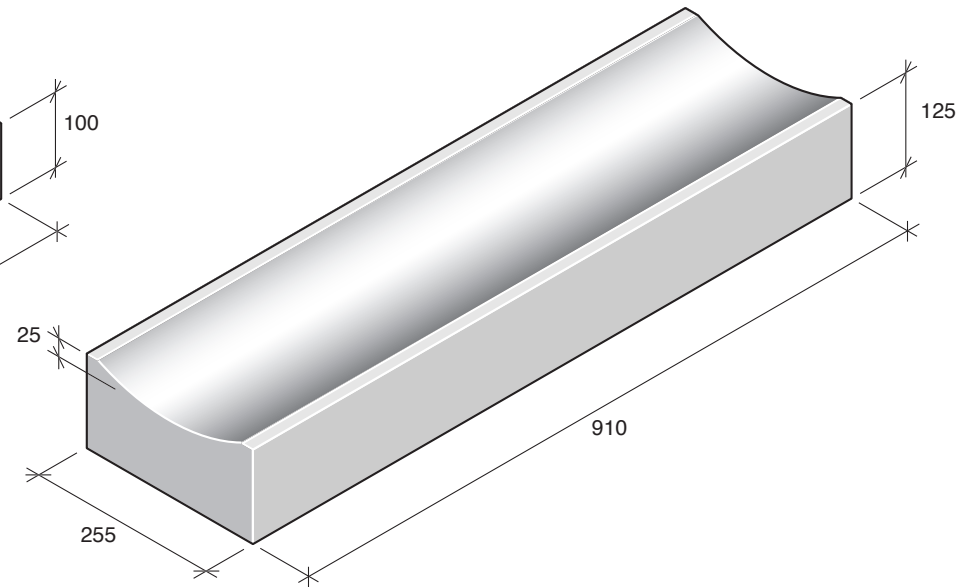
Radius, quadrants, droppers  
and crossing kerbs also available



**Kerb  
KB01**



**Dished channel straight  
DC01**

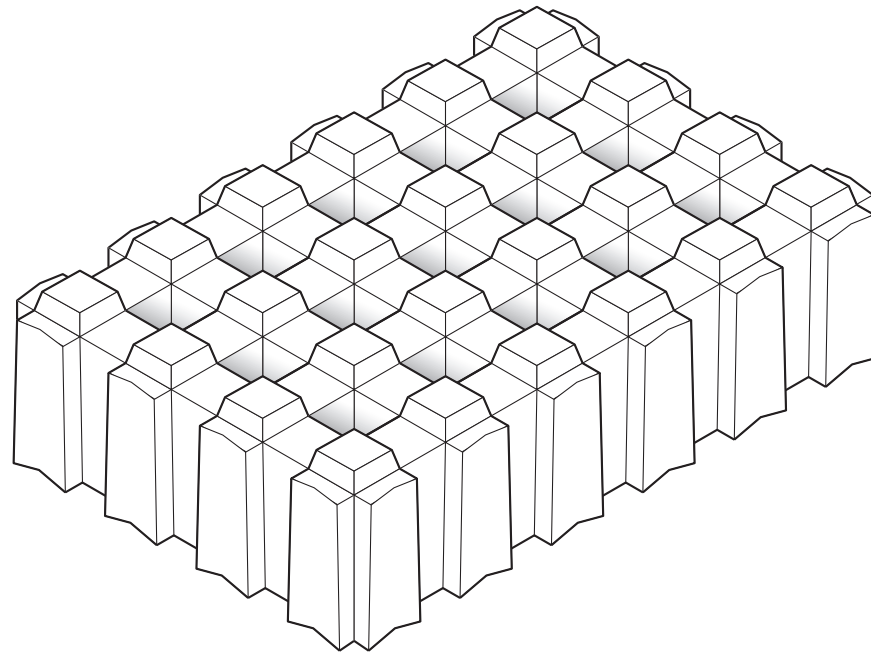


**Dished channel straight  
DC02**

ALLEN CONCRETE

# GRASS BLOCKS

C/SIB Yf2  
PRECAST CONCRETE  
BUILDING PRODUCTS

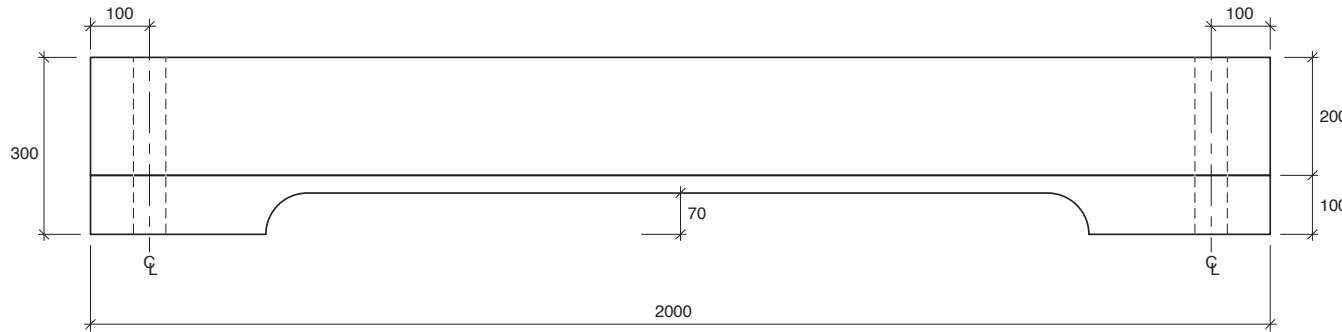


600 x 400 x 100  
GGR4

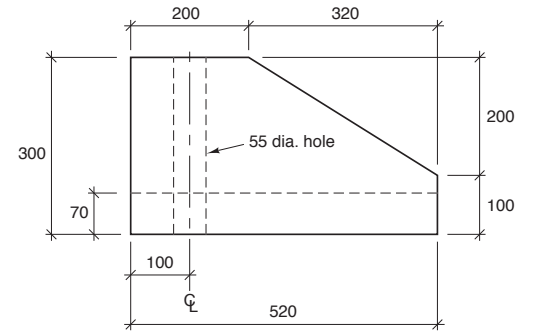
ALLEN CONCRETE

# RAM PROTECTOR UNIT

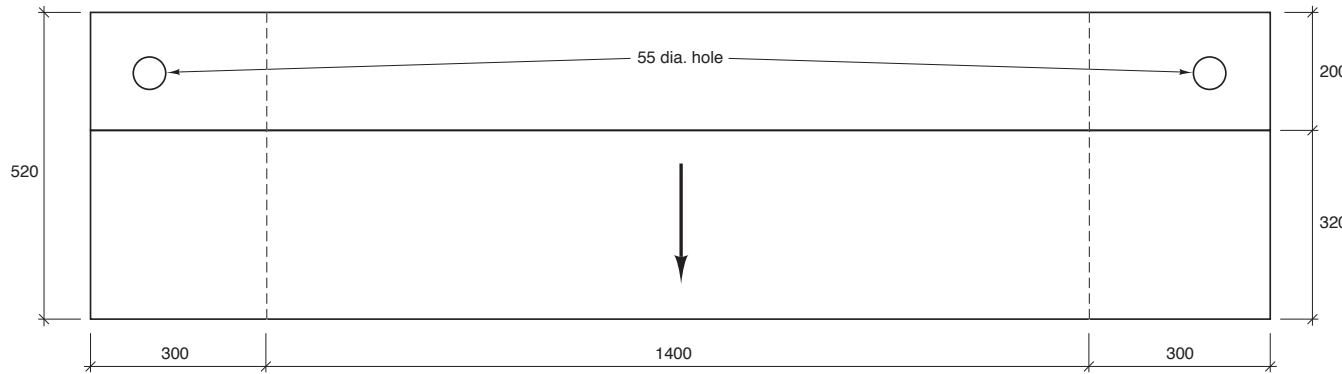
C/SIB Yf2  
 PRECAST CONCRETE  
 BUILDING PRODUCTS



ELEVATION



SECTION



PLAN

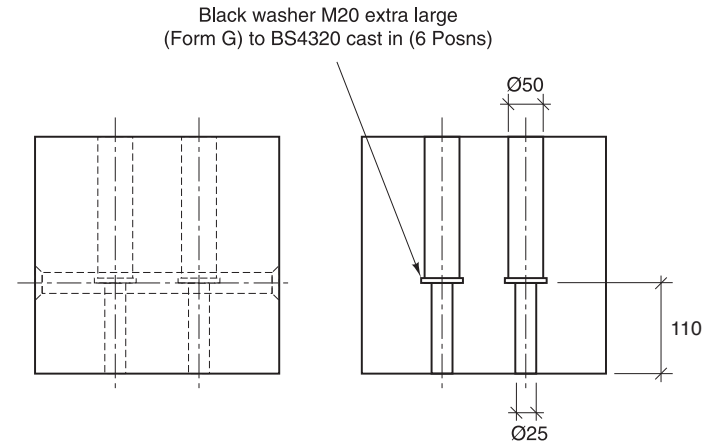
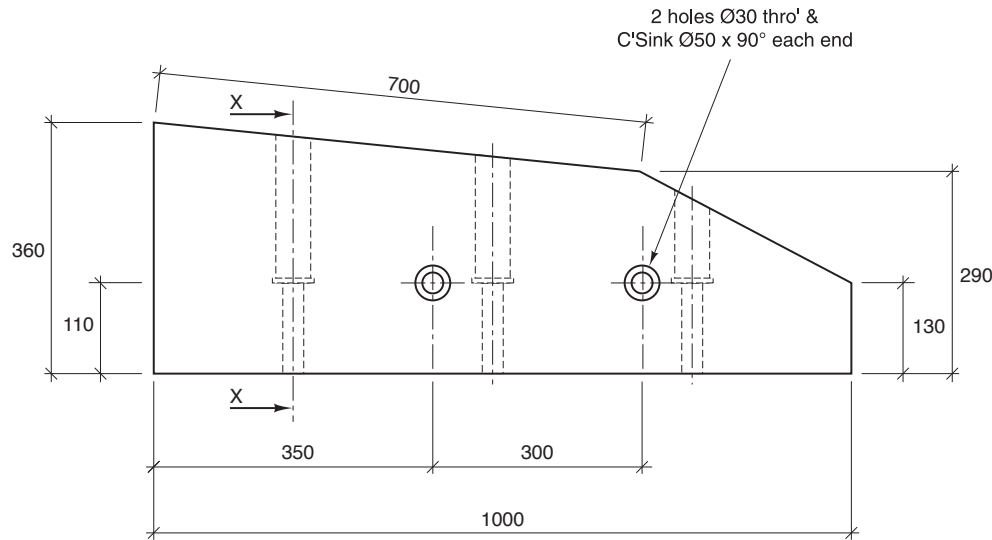
**RAM01**

**ALLEN CONCRETE**

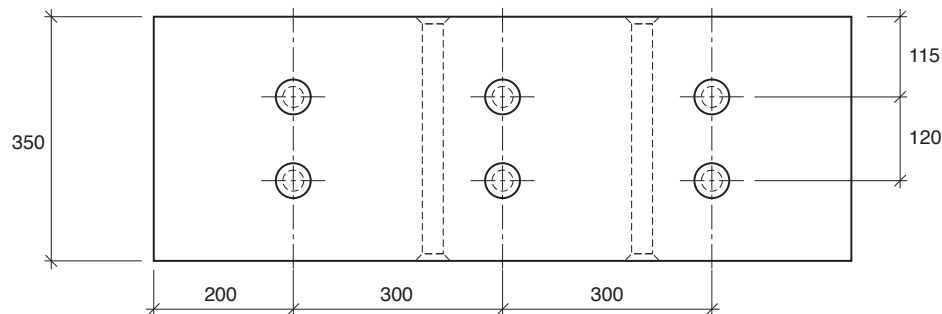
RAM PROTECTOR UNIT  
**41**

# RAMP ANCHOR BLOCK

C/SIB Yf2  
 PRECAST CONCRETE  
 BUILDING PRODUCTS



SECTION x-x



RAB01

ALLEN CONCRETE